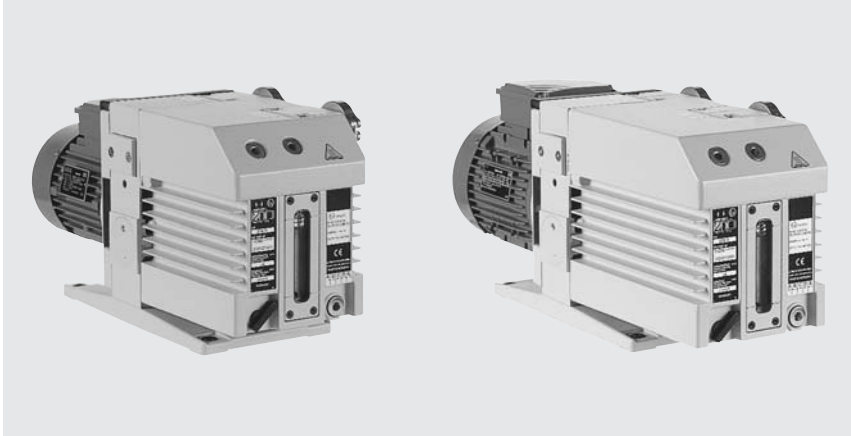
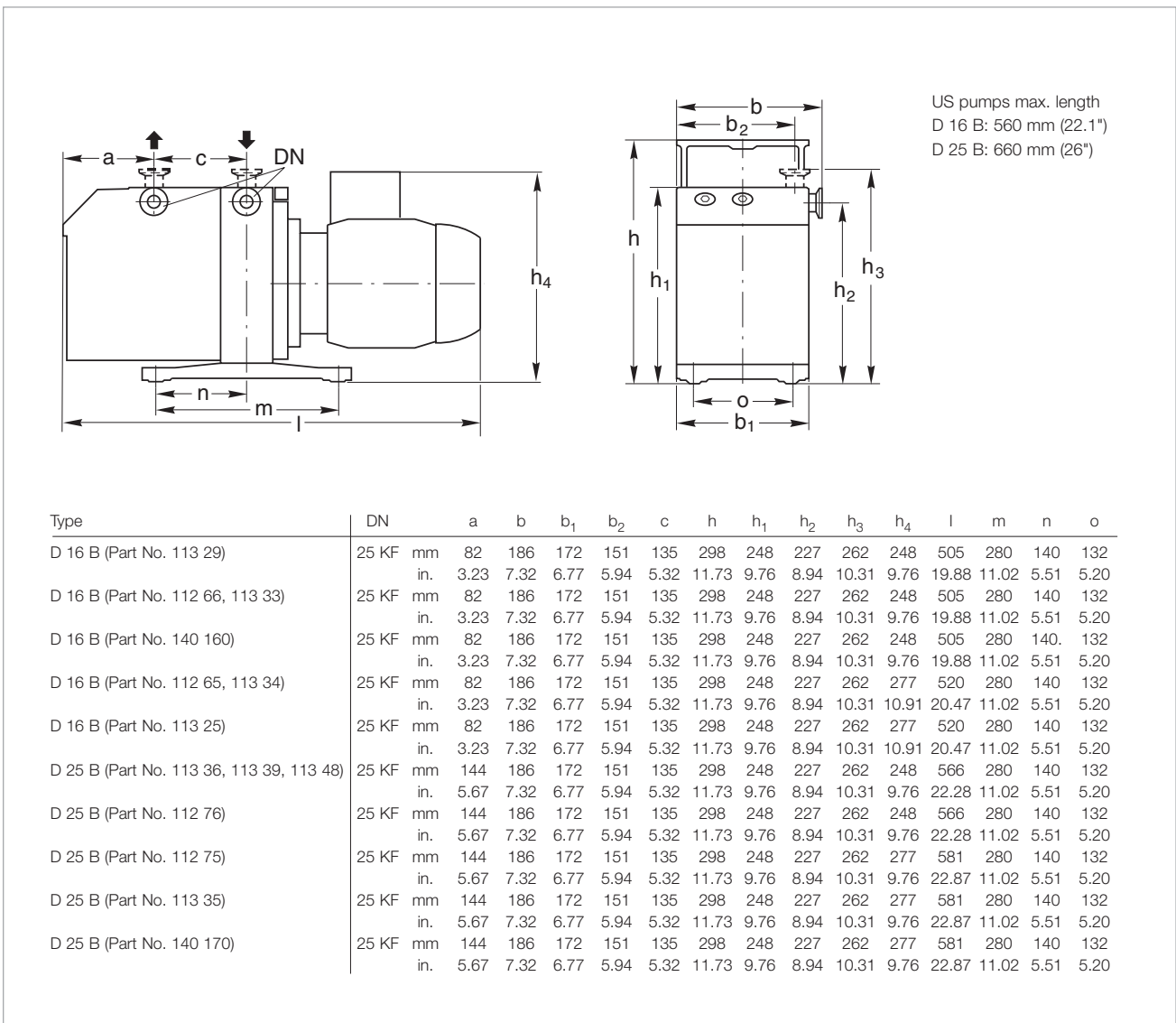


TRIVAC D 16 B and D 25 B



TRIVAC D 16 B (left) and TRIVAC D 25 B (right)



Dimensional drawing for the TRIVAC D 16 and D 25 B

Technical Data

TRIVAC D 16 B two-stage

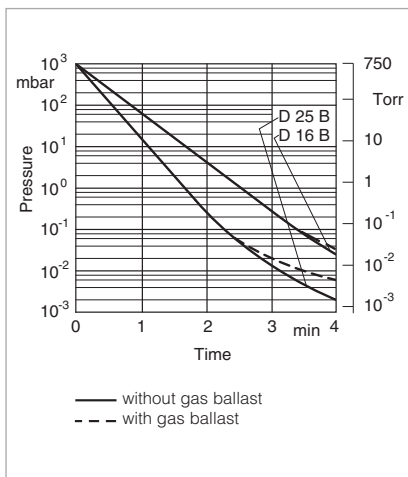
TRIVAC D 25 B two-stage

		50 Hz	60 Hz	50 Hz	60 Hz
Nominal pumping speed ¹⁾	m ³ /h (cfm)	18.9 (11.1)	22.7 (13.4)	29.5 (17.4)	35.4 (20.9)
Pumping speed ¹⁾	m ³ /h (cfm)	16.5 (9.7)	19.8 (11.7)	25.7 (15.1)	30.8 (18.2)
Ultimate partial pressure without gas ballast ¹⁾	mbar (Torr)	10 ⁻⁴ (0.75 x 10 ⁻⁴)	10 ⁻⁴ (0.75 x 10 ⁻⁴)	10 ⁻⁴ (0.75 x 10 ⁻⁴)	10 ⁻⁴ (0.75 x 10 ⁻⁴)
Ultimate total pressure without gas ballast ¹⁾	mbar (Torr)	< 2 x 10 ⁻³ (1.5 x 10 ⁻³)	< 2 x 10 ⁻³ (1.5 x 10 ⁻³)	< 2 x 10 ⁻³ (1.5 x 10 ⁻³)	< 2 x 10 ⁻³ (1.5 x 10 ⁻³)
Ultimate total pressure with gas ballast ¹⁾	mbar (Torr)	< 5 x 10 ⁻³ (3.8 x 10 ⁻³)	< 5 x 10 ⁻³ (3.8 x 10 ⁻³)	< 5 x 10 ⁻³ (3.8 x 10 ⁻³)	< 5 x 10 ⁻³ (3.8 x 10 ⁻³)
Water vapor tolerance ¹⁾	mbar (Torr)	25 (18.8)	25 (18.8)	25 (18.8)	25 (18.8)
Water vapor capacity	g/h	305	305	476	476
Oil filling, min. / max.	l (qt)	0.5 / 1.0 (0.5 / 1.1)	0.5 / 1.0 (0.5 / 1.1)	0.6 / 1.4 (0.6 / 1.5)	0.6 / 1.4 (0.6 / 1.5)
Noise level ²⁾ to DIN 45 635, without / with gas ballast	dB(A)	52 / 62	52 / 62	52 / 62	52 / 62
Admissible ambient temperature	°C (°F)	+12 to +40 (+54 to +104)	+12 to +40 (+54 to +104)	+12 to +40 (+54 to +104)	+12 to +40 (+54 to +104)
Motor rating ²⁾	W (HP)	550 - 750 (0.75 - 1.0)	550 - 750 (0.75 - 1.0)	750 (1)	750 (1)
Nominal speed	rpm	1500	1800	1500	1800
Type of protection ³⁾	IP	54	54	54	54
Weight ²⁾	kg (lbs)	26 (57.3)	26 (57.3)	32 (70.6)	32 (70.6)
Connections, Intake and Exhaust	DN	25 KF	25 KF	25 KF	25 KF

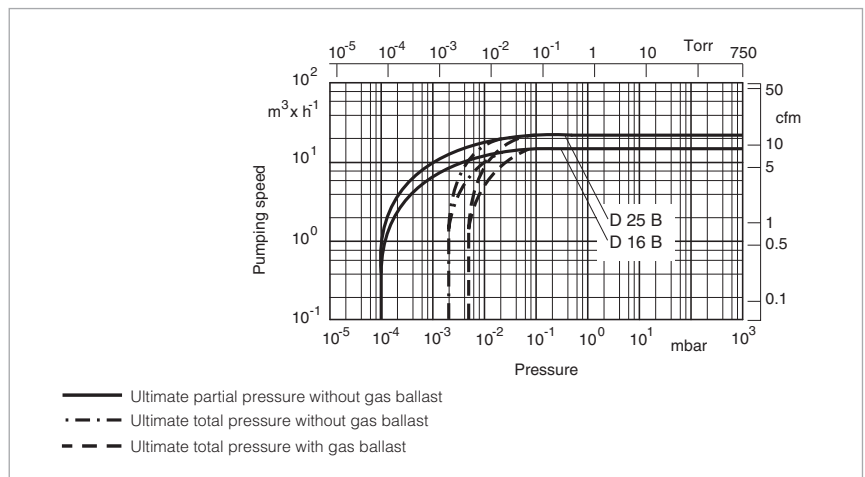
¹⁾ To DIN 28 400 and following numbers

²⁾ Weight, motor rating and noise levels for the pumps with global version AC motor, 50 Hz, only.
Any data that deviate from the above for pumps with other motors, and other motor-dependent data are given in section "Products", paragraph "Motor Dependent Data for the TRIVAC B, BCS and BCS-PFPE"

³⁾ Global versions only. North and South American versions are TEFC



Pump-down characteristics of a 100 l vessel at 50 Hz



Pumping speed characteristics at 50 Hz (60 Hz curves at the end of the section)

Ordering Information**TRIVAC D 16 B
two-stage****TRIVAC D 25 B
two-stage**

TRIVAC B without motor	Part No. 113 28	Part No. 113 38
with 1-phase motor 230 V, 50/60 Hz ¹⁾	Part No. 112 65	-
208 - 252 V, 50/60 Hz ¹⁾	Part No. 113 25 ²⁾	Part No. 113 35 ²⁾ / 112 75
100 V, 50 Hz / 110 V, 60 Hz	upon request	upon request
115 V, 60 Hz	-	Part No. 113 48
with 3-phase motor 230/400 V, 50 Hz / 250/440 V, 60 Hz ¹⁾	Part No. 112 66	Part No. 112 76
230/400 V, 50 Hz / 250/440 V, 60 Hz	Part No. 113 33 (RCF - E96N)	-
200/346 V, 50 Hz / 208/360 V, 60 Hz	Part No. 113 34 (RCF - E96N)	-
230/400 V, 50 Hz, ATEX Category 3 inside and 3 outside inside: II (i) 3G IIC T4 (50 Hz) outside: II (o) 3G IIC T3 (50 Hz)	Part No. 140 160	Part No. 140 170

Accessories

FS 8-16 dust filter	Part No. 186 10	Part No. 186 10
AS 8-16 dust separator	Part No. 186 11	Part No. 186 11
MF 8-16 molecular filter	Part No. 186 12	Part No. 186 12
FA 8-16 fine vacuum adsorption trap	Part No. 187 10	Part No. 187 10
Adsorption trap with aluminium oxide	Part No. 854 15	Part No. 854 15
Activated aluminium oxide, 1.3 kg (2 l approx.)	Part No. 854 10	Part No. 854 10
AF 16-25 exhaust filter	Part No. 189 11	Part No. 189 11
AR 16-25 exhaust filter with lubricant return	Part No. 189 21	Part No. 189 21
AK 16-25 condensate trap	Part No. 188 11	Part No. 188 11
OF 4-25 mechanical oil filter	Part No. 101 91	Part No. 101 91
CF 4-25 chemical oil filter	Part No. 101 96	Part No. 101 96
Connector for gas ballast inlet M 16 x 1.5 – DN 16 KF	Part No. 168 40	Part No. 168 40
Oil drain tap M 16 x 1.5	Part No. 190 90	Part No. 190 90

Spare Parts

Inner body	Part No. E 200 10 956	Part No. E 200 10 960
Major maintenance kit (without oil)	Part No. EK 110 002 618	Part No. EK 110 002 616
Minor maintenance kit (without oil)	Part No. EK 110 002 626	Part No. EK 110 002 625
Shaft sealing ring replacement kit	Part No. EK 110 002 630	Part No. EK 110 002 630
Small parts kit	Part No. EK 110 002 635	Part No. EK 110 002 635

¹⁾ Certification after 94/9/EG (ATEX), Category 3 inside. Inside: II (i) 3G IIC T4 (50 Hz), T3 (60 Hz)

²⁾ With cable EURO Schuko. Other cables for wide range motor upon request

Only available for purchase in North and South America

Ordering Information

TRIVAC D 16 B two-stage

TRIVAC D 25 B two-stage

TRIVAC B with 1-phase motor 115 V, 60/50 Hz, NEMA plug 208-230 V, 60/50 Hz, NEMA plug	Part No. 912 65-1 Part No. 912 65-2	Part No. 912 75 V 001 Part No. 912 75-2
with 3-phase motor 208-230/460 V, 60 Hz / 200-220/380 V, 50 Hz	Part No. 912 66-2	Part No. 912 76-2